



Assembly Instructions

Box Step Accessory for StageTek® Staging System

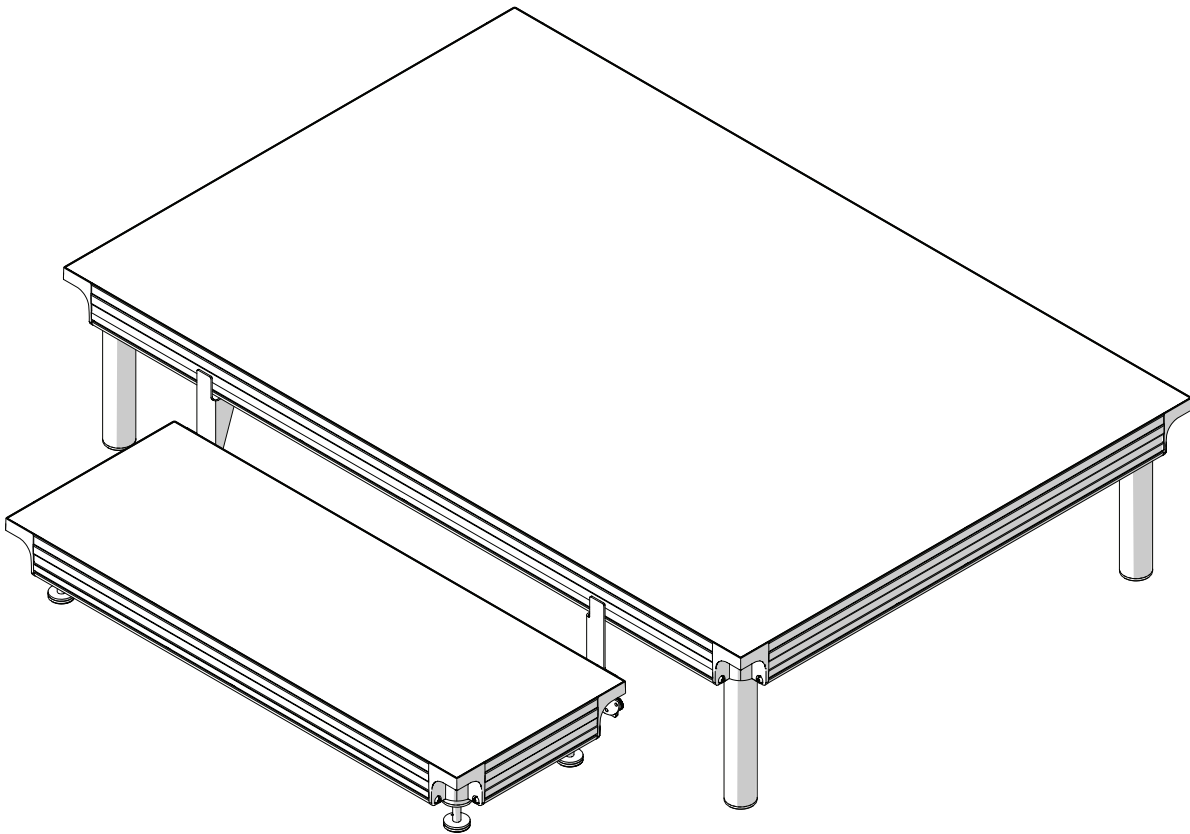
Basic Instructions only!
For more detailed product information, refer to the StageTek Staging System Owner's Manual 280A099.

⚠ CAUTION

Make sure anyone assembling or installing StageTek components has read and understands the instructions.

⚠ CAUTION

Always comply with Warnings or Cautions in the instructions or posted on the equipment.



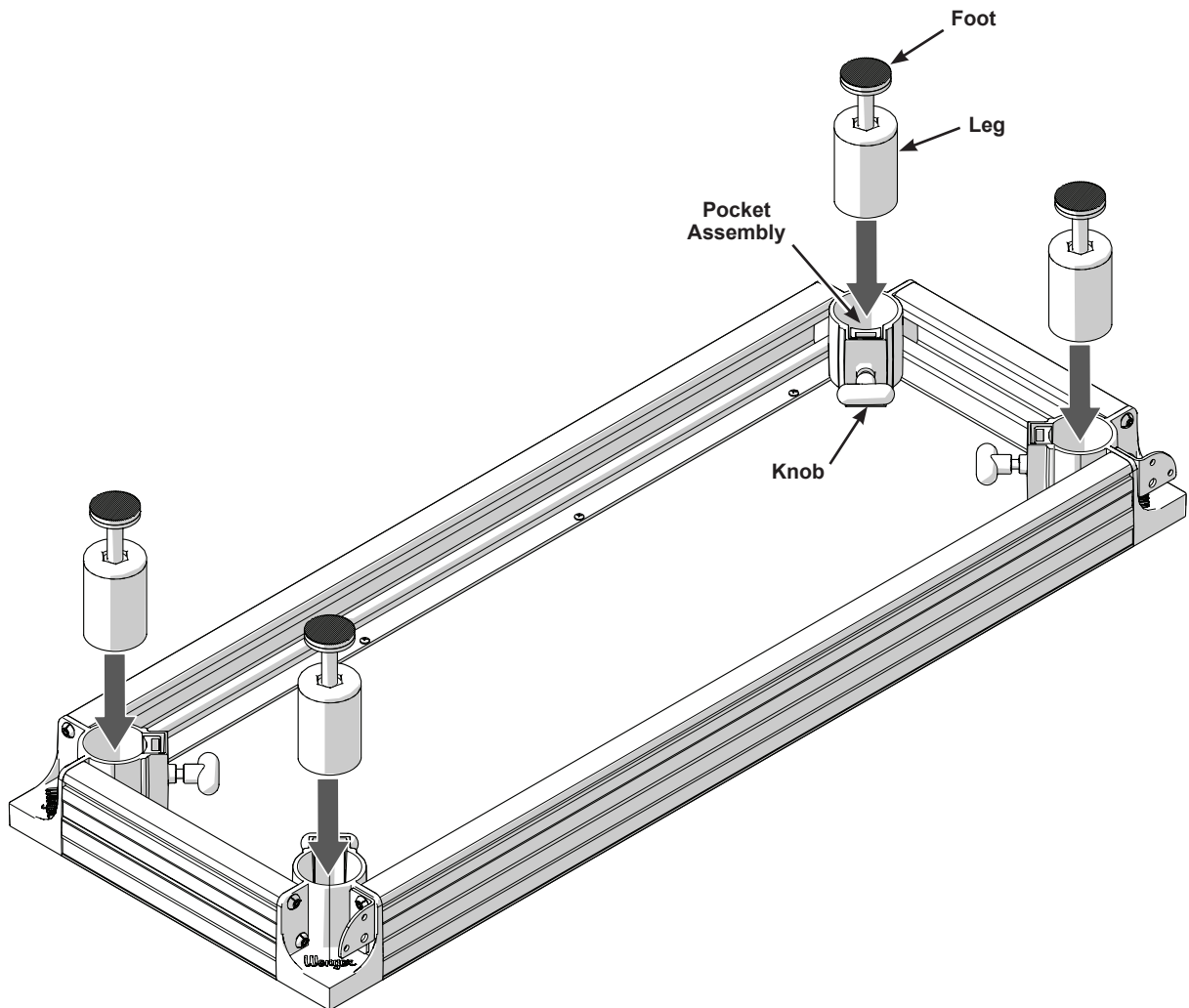
Visit the StageTek Staging System web page at wengercorp.com for more information.

Note: Please read and understand these instructions before assembling or setting up.

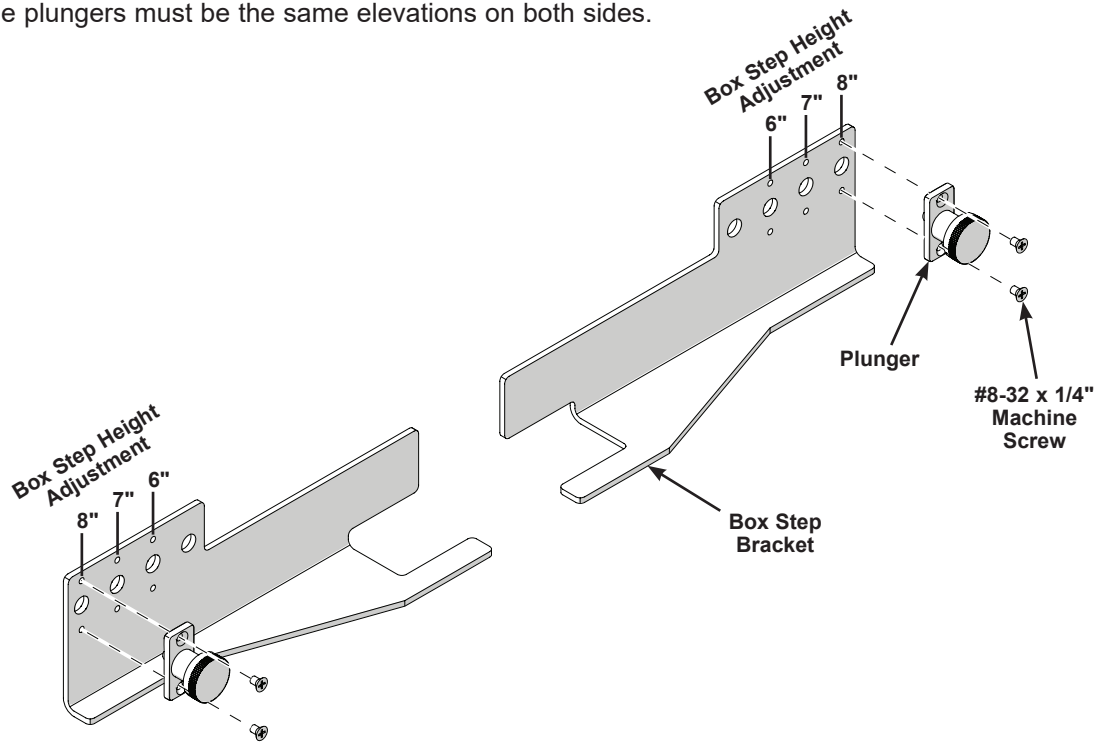
Note: If you need additional information, contact Wenger Corporation using the information below.

1. Lay the box step deck upside down on a clean surface.
2. Attach the legs.
 - a. Insert the legs all of the way into each of the pocket assemblies.
 - b. Secure each leg by hand tightening the knob on every pocket assembly. No tools are required.
 - c. Turn the box step over onto the legs.
 - d. Adjust the feet to raise the box step deck to an elevation that will split the rise elevation to the next platform deck.

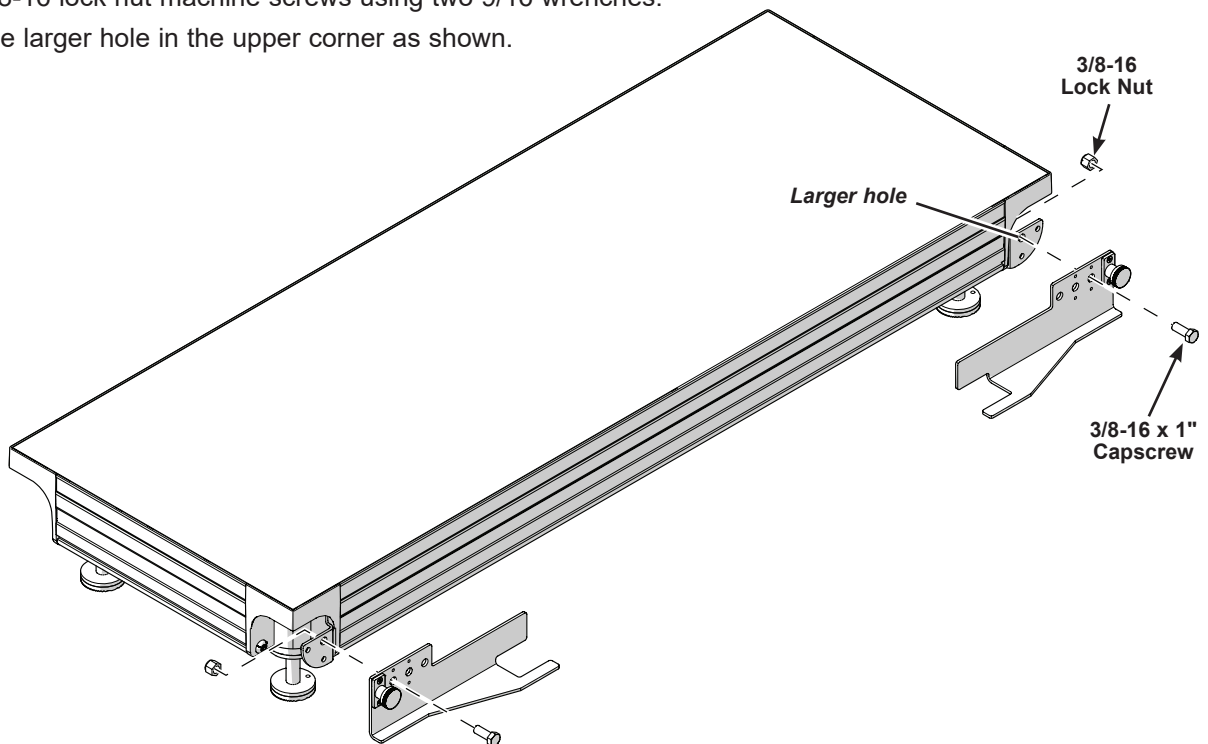
Be sure that all four feet will touch the ground or platform deck.



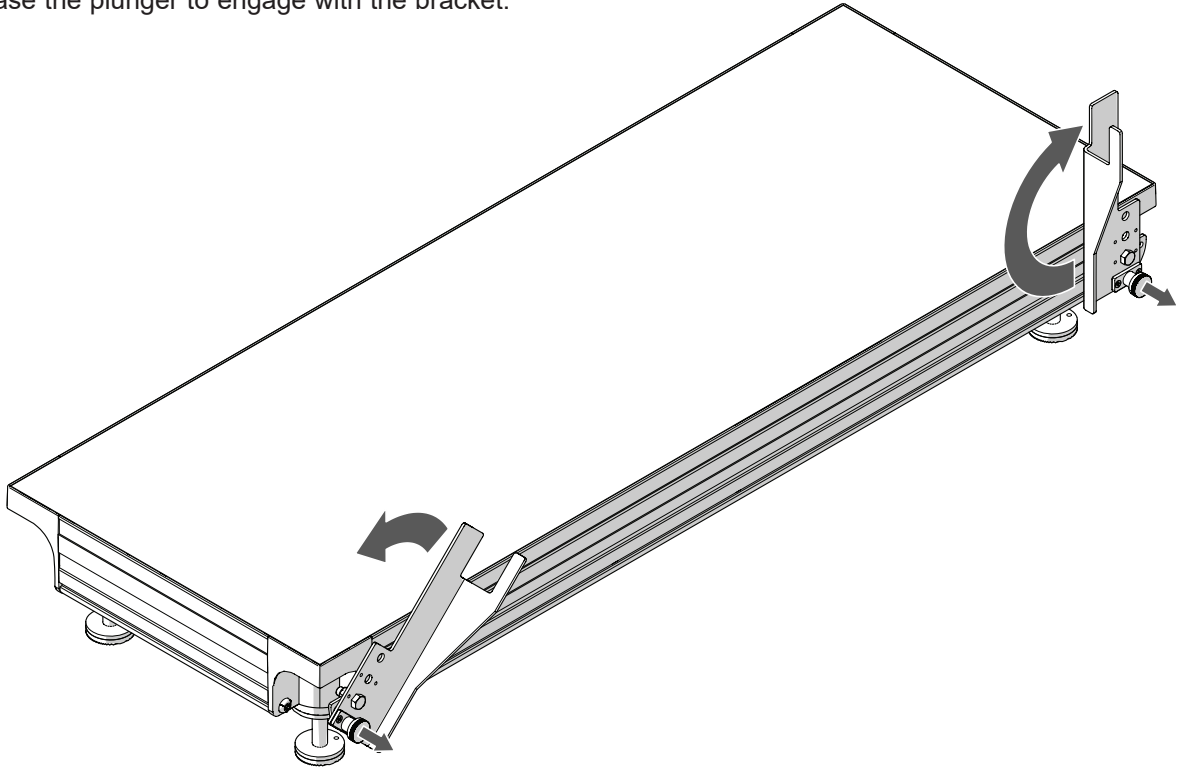
3. The plungers are pre-installed to fit 8" box step elevations. To adjust to 6" or 7" box step elevations, remove the plunger and #8-32 x 1/4" machine screws. Reattach them to the appropriate hole as shown below using a phillips head screwdriver. The height of the plungers must be the same elevations on both sides.



4. Attach each of the two box step brackets to the box step with one 3/8-16 x 1" capscrew and 3/8-16 lock nut machine screws using two 9/16 wrenches. Use the larger hole in the upper corner as shown.



5. To connect the box step to the StageTek deck:
 - a. Slide the box step under front of the StageTek deck.
 - b. Pull out on the plunger and swing the bracket upward to fit underneath the StageTek deck extrusion.
 - c. Release the plunger to engage with the bracket.



6. Adjust the leg heights by turning the feet if necessary.

